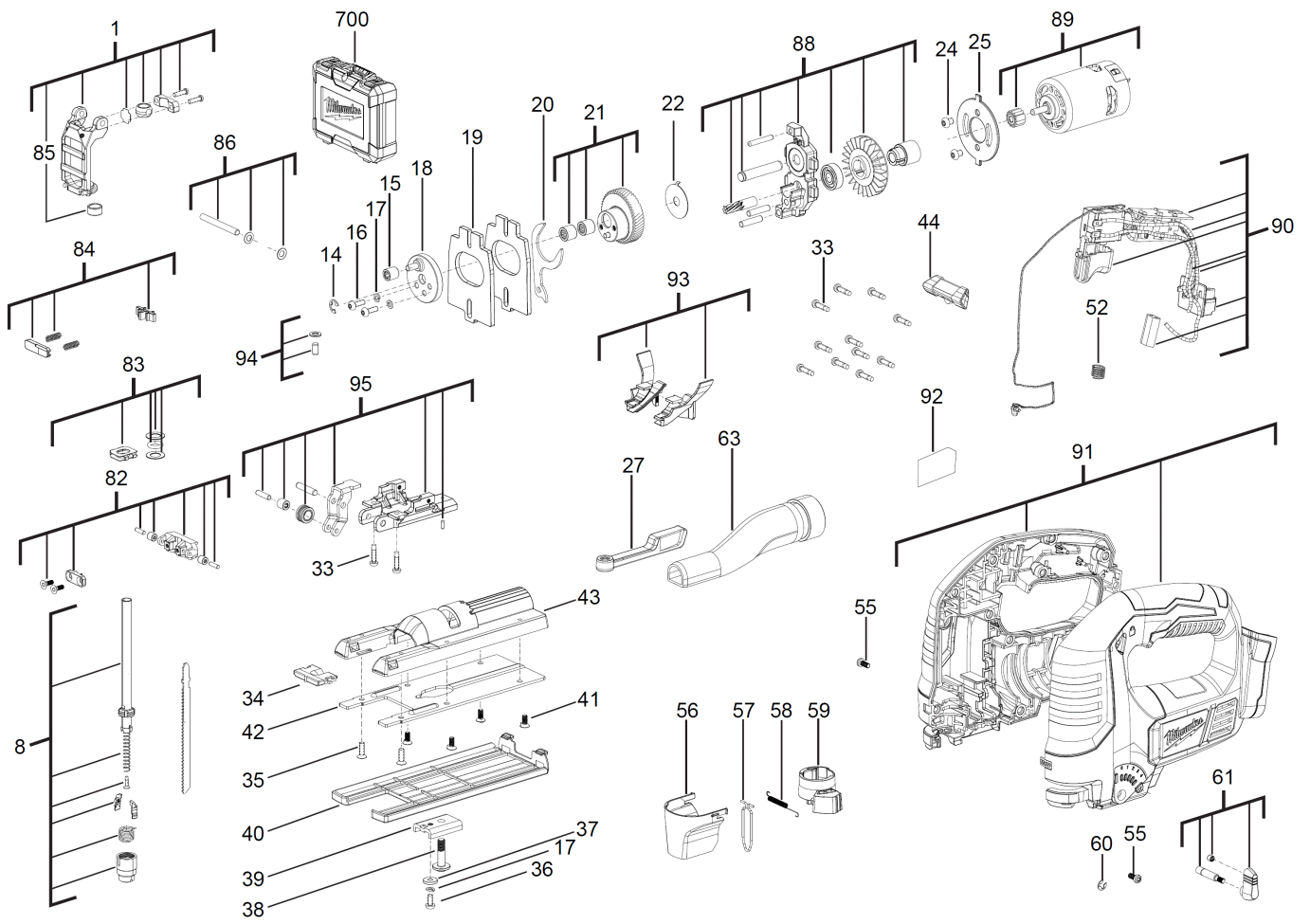


# M18BJS-0 BTY. JIGSAW XXX

4933451391 - M18BJS-0 - 4000456860





Position	Quantity	Description	Part number	EAN
0001	1	GUIDE ELEMENT	4931454297	4002395284078
0008	1	RAM	4931454298	4002395284085
0014	1	RETAINING RING	4931454299	4002395284092
0015	1	BALL BEARING	4931454300	4002395284702
0016	2	SCREW	5131000000	
0017	3	WASHER	4931454302	4002395284726
0018	1	EXCENTER	4931454303	4002395284733
0019	2	ECCENTRIC BEARING	4931454304	4002395284740
0020	1	ECCENTRIC DISC	4931454305	4002395284757
0021	1	GEAR BOX ASSY	4931454306	4002395284764
0022	1	WASHER	4931454307	4002395284771
0024	2	SCREW	4931454308	4002395284788
0025	1	MOTOR PLATE	4931454309	4002395284795
0027	1	LEVER	4931454310	4002395285402
0033	13	SCREW	660024030	4002395826957
0034	1	ANT-CHIPPING DEVICE	4931431787	4002395895700
0035	2	SCREW	4931453302	4002395160846
0036	1	SCREW	4931453100	4002395151349
0037	1	WASHER	4931454311	4002395285419
0038	1	SCREW	4931454312	4002395285426
0039	1	HOLDING PLATE	4931454313	4002395285433
0040	1	COVER	4931454314	4002395285440
0041	4	SCREW	4931454315	4002395285457
0042	1	BASE PLATE	4931454316	4002395285464
0043	1	BASE PLATE	4931454317	4002395285471
0044	1	PUSH-BUTTON	4931454318	4002395285488
0052	1	PRESSURE SPRING	4931408243	4002395814466
0055	2	SCREW	660400005	4002395823789
0056	1	COVER	4931454319	4002395285495
0057	1	DISTANCE HOLDER	4931454320	4002395286102
0058	1	SPRING	4931454321	4002395286119
0059	1	LEVER	4931454322	4002395286126
0060	1	RING	4931454323	4002395286133
0061	1	LEVER	4931454324	4002395286140
0063	1	DUST EXTRACTION	4931454325	4002395286157
0082	1	CONNECTION SET	4931454326	4002395286164
0083	1	WASHER PACK/5	4931454327	4002395286171
0084	1	BACKING PLATE	4931454328	4002395286188
0085	1	BALL BEARING	4931454329	4002395286195
0086	1	WASHER PACK/5	4931454330	4002395286805
0088	1	FAN	4931454331	4002395286812
0089	1	MOTOR ASSEMBLY	4931454332	4002395286829
0090	1	SWITCH	4931454333	4002395286836
0091	1	HOUSING	4931454334	4002395286843
0092	1	RATING PLATE	5131000000	
0093	1	AIR DEFLECTOR RING	4931454336	4002395286867
0094	1	SEAL	4931454337	4002395286874
0095	1	SUPPORT ROLL HOLDER	4931454338	4002395286881
0700	1	CARRYING CASE	4931454339	4002395286898